

Options

DEPENDABLE • ADJUSTABLE • ELEGANT



Wheelchair Accessible
Tables, Tops and Bases

About Us



Space Tables proudly presents our comprehensive line of fixed and height-adjustable tables for long-term care, assisted living, hospitals, rehab centers or wherever the need exists for alternate height tables. Space Tables has been in business since 1976 and has always delivered Quality 1st.

Innovative features found in our tables are the result of listening to and working with healthcare providers who use these products on a daily basis.

The union of height adjustability and the variety of tabletops, make our tables uniquely suited to help you deliver the thoughtful, homelike and hygienic care that is required in residential care settings today.

Once you have seen and used our tables, we know you will understand the pride and care that go into our designs and manufacturing process.

Call our toll free number 1-800-328-2580, our knowledgeable staff will answer your questions and help you with your needs.

Our commitment to you is to provide an innovative, quality product that will enhance the quality of life for your residents and staff.

We thank you for this opportunity to showcase our products.

Our tables meet ANCI/BIFMA X5.5 Standards.

Space Tables, Inc.

11511 95th Avenue N • Maple Grove, MN 55369

Phone: 763-494-6969

Toll Free: 800-328-2580

Call your area representative for current pricing.

Dining Room Tables

Composite Table Tops

Series 500

Our composite tops are lightweight, yet durable and strong. The gelcoat finish is available in solid colors (Timeless Collection) or a granite look (Classic and Contemporary Granite). You can choose a different color for the edge to provide contrast for visual cueing.

Residents feel more independent and secure using our "Easy Grip Edge". They can hook their fingers under the lip to help with positioning and comfort.

The Series 500 table tops are available in several sizes of round, square and rectangular shapes.

When ordering specify

- Tabletop size
- Tabletop shape
- Tabletop color(s)
- Edge color - optional



Two Tone 548R w/605/606



542S w/636B-SS



542R w/603/606

Dining Room Tables

SPACEEdge™ Laminate Table Tops

Series 1000



The laminate tops can be ordered in various sizes of square, round, and rectangular.



Our raised SPACEEdge design catches spills.



Bullnose SPACEEdge, Square SPACEEdge & Raised SPACEEdge

SPACEEdge™ a molded polyurethane product, protects the edge of the high pressure laminate table tops from chairs and wheelchairs. It is soft to protect against bumps, but not so soft that it absorbs stains. The edge treatment is chemically bonded to the substrate to insure the seal with the laminate. It is available in assorted profile edges.

When ordering specify

- Tabletop size
- Tabletop shape
- Tabletop color(s)
- Edge style
- Edge color

Note: Our laminate table tops are CARB Compliant and meet 2012 Federal CARB requirements.

Dining Room Tables

Laminate Table Tops

Series 2000



2042R-BVB/OE w/615-48

High Pressure Laminate, 3D Laminate & Inlaid Table Tops with Unique Edge Styles

In this series, we offer Wood Edges in Oak or Maple with different profiles and stains to choose from.

This series also lets you create your own special look by doing inlays, such as the Placemat and Game Top shown below.

The laminate tops can be ordered in various sizes of square, round, and rectangular

3D Laminate tops feature a wrap around edge that eliminates the split between the top and edge surfaces. This creates a one-piece edge that gives the illusion of a solid surface.

When ordering specify

- Tabletop size
- Tabletop shape
- Tabletop color(s)
- Edge style
- Edge color



Laminate Game Top



Standard Wood Edges

Round Wood Edge (Shown)



Waterfall Wood Edge



Dover Wood Edge



Ogee Wood Edge



Square Wood Edge



Eased Wood Edge



Bumper Edge (Shown)



Self Edge (Not Shown)



3D Laminate Edge (Shown)



Vinyl "T" Mold Edge (Shown)



Dining Room Tables

Adjustable Table Bases

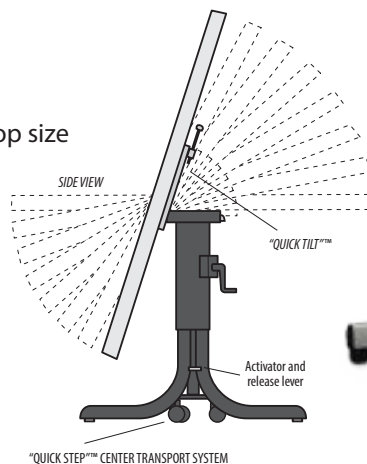
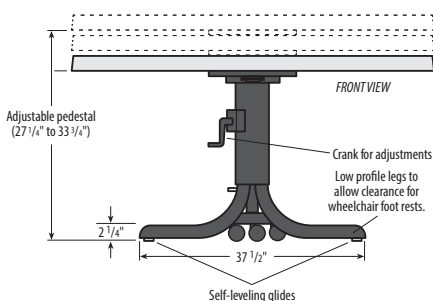
Our adjustable bases provide comfort for your residents and safety for your staff. There is no reason to separate residents based on seating. Wheelchair and ambulatory residents can enjoy each others company at the same time and be comfortable. Our adjustable bases also provide proper positioning for the best possible outcomes in your dining programs.

The adjustable metal bases have about a six (6) inch adjustment range. Some bases offer a "Quick Tilt"™ and a "Quick Step"™ Center Transport System that allows for one person to easily move and store tables in a multi-purpose room.

Metal bases are available in the following colors; Black, Brown, Silver, Woodgrain, or Black with Chrome legs.

When ordering specify

- Base style
- Base color
- Base options
- Intended table top size



Brown 601 Adjustable Base shown in the tilt position Also available in Woodgrain finish

Black 603/606 Adjustable Base with Center Transport System Also available in Woodgrain finish

604/606 Silver Adjustable Base with Center Transport System



Dining Room Tables

Adjustable Table Bases

Space Tables has added a unique style to its very popular adjustable base. The base is now available in a “woodgrain” metal finish that gives the look of wood, with the durability of a metal base. It is available in four colors including Cherry, Oak, Walnut, & Mahogany. This finish is also available on the 613-48 economical adjustable base. This will give you a warm look with the durability you have learned to expect from Space Tables products.

When ordering specify

- Base style
- Base woodgrain color
- Base options
- Intended table top size



*605/606 Adjustable Metal
Base – Cherry Woodgrain
finish*



*605/606 Adjustable
Metal Base – Mahogany
Woodgrain finish*



*605/606 Adjustable Metal
Base – Walnut Woodgrain
finish*

Dining Room Tables

Adjustable Table Bases

Space Tables 613/615 series economical adjustable bases are adjustable bases with many options. These bases feature the sleek look of flat legs to give you the function and durability you deserve for your residents and staff. In addition to the standard black wrinkle and brown wrinkle finishes, this base is also available in our popular “woodgrain” metal finish on the 615-48 models.

6/T-72 Adjustable Tandem Base is available in Black Wrinkle or Silver only.

When ordering specify

- Woodgrain Color,
Black or Brown
Wrinkle Finish
- Black Wrinkle or Silver
(Tandem only)



*615-48 Adjustable Metal Base – Woodgrain finish
Shown in Walnut
(Also available in Black or Brown Wrinkle)*



*613-48 Adjustable Metal
Base Shown in Black
Wrinkle Finish*



*6/T-72 Adjustable Tandem Base
Designed to support longer rectangle tops
(Also available in Silver or Black finishes)*



*615-48 Adjustable Metal
Base – Woodgrain finish
Shown in Mahogany
(Also available in Black or
Brown Wrinkle)*

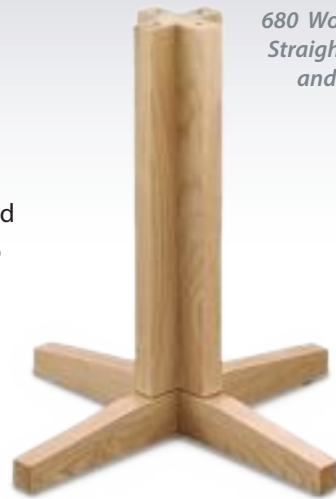
Dining Room Tables

Fixed Height Wood Table Bases

Traditional non-adjustable height wood bases that provide a warm, elegant look to any room. All bases are available in oak or maple.

When ordering specify

- Base style
- Base color
- Base options
- Intended table top size



*680 Wood X-Base
Straight Column
and 4 Legs*



675 (Beveled) Wood X-Base



*683 Wood X-Base
Turned Column and 4 Legs
(available in T Leg)*



*667 (Duncan Phyfe) Wood
Turned Column and 3 Legs*



*667 (Duncan Phyfe) Wood
Turned Column and 4 Legs*



*684 Wood X-Base
Turned Column
(available in T Leg)*

Dining Room Tables

Fixed Height Table Bases

Traditional fixed height bases provide a classic look to any room.

These metal bases feature a black wrinkle finish. The Optional self-leveling glides will eliminate table wobble.

Standard and Wheelchair heights available.

When ordering specify

- Base style
- Base color
- Base options
- Self leveling glides
- Intended table top size



636V-4 Group Base in Black Wrinkle Finish



622V X-Base in Black Wrinkle Finish



630B-SS X-Base in Black Wrinkle Finish



Black 623/606 Fixed Height Base Shown in the Tilt Position

622TB-SS End-Base in Black Wrinkle Finish

Dining Room Tables

Ornamental Table Bases

Ornamental fixed height metal bases add style and design to your dining room.

These metal bases feature a black wrinkle finish. The Optional self-leveling glides will eliminate table wobble.

When ordering specify

- Base style
- Base color
- Base options
- Self leveling glides
- Intended table top size



*617J
Ornamental
X-Base in Black
Semigloss Finish*



*628C Round Fixed Height
Base in Black Wrinkle
Finish*



*632L Queen Anne 4 Leg
Base in Black Wrinkle
Finish*



*626L Queen Anne 3 Leg
Base in Black Wrinkle
Finish*



*630E Round
Cutout Base in
Black Wrinkle
Finish*



*624J Ornamental
Round Base in Black
Semigloss Finish*



*622D Round Grooved Base
in Black Wrinkle Finish*

Adjustable All-Purpose Tables

Restorative Dining & Activity

Single Station

Adjustable tables for activities and restorative dining with wheelchair accessibility. All are adjustable in height from 27"–33" (1½" increments) with combination of locking and non-locking twin wheel casters. If you prefer glides instead of casters, the height adjustment is 25¼"–31¼" (1½" increments)

One Station

- For one person, or one person with staff attendant
- Composite
- Chrome Legs or Black and Chrome legs available

Tabletop color

- Timeless Composite
- Classic or Contemporary Granite Composite

When ordering please specify

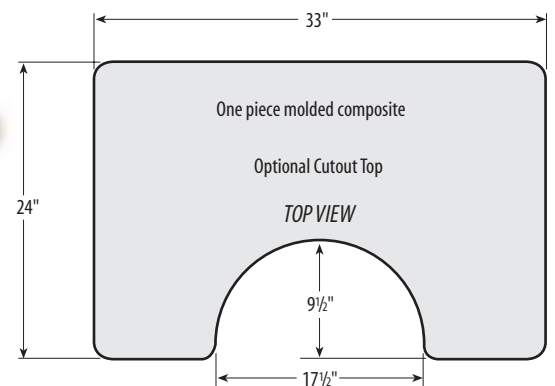
- Model #
- Tabletop color
- Leg color



*Model #105AP Adjustable
Black/Chrome Legs*



*Model #110AC Adjustable
Chrome Legs*



All-Purpose Tables

Restorative Dining & Activity

4 Station



Model 204AP Composite Top and Adjustable Black and Chrome Legs with Locking and Non-Locking Casters

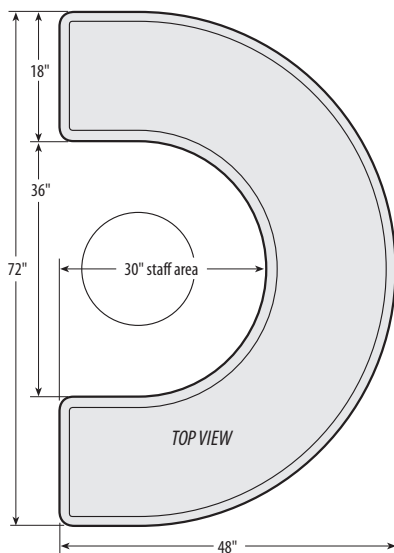
Adjustable tables for restorative dining programs and activity rooms. These tables will accommodate Three or Four persons with One staff attendant and are wheelchair accessible.

When ordering please specify

- Model #
- Tabletop color
- Choose Composite or High Pressure Laminates for the tops
- Select adjustable height leg color
- Choose from twin wheel locking and non-locking casters or glides



Model #22204AC-TL 3D Laminate Top and Adjustable Black and Chrome Legs with Locking and Non-Locking Casters



204: 4 Station

Adjustable Overbed Tables

Resident Room & Activity



Composite Top



Model 930B Base

We offer three top options for your needs.

All three have a heavy duty base with twin wheel casters. Base colors are Black and adjust from 29" to 43".

Series 900 - Composite

- Durable and strong. Choose from any Timeless Collection or Classic/Contemporary Granite Collection colors. Contrasting edge available in Timeless colors only. Top is 15" x 31".

Series 800 – High Pressure Laminate

- High pressure laminate with SPACEEdge™ in the raised (no spill) profile. Choose from WilsonArt or Formica for laminates and any SPACEEdge color. Top is 18" x 32".
- High pressure laminate top with Vinyl T-Mold edge. Available in Light Oak, Dark Oak, Walnut or Mahogany with Brown, Tan or Black edge color. Top is 15" x 31"



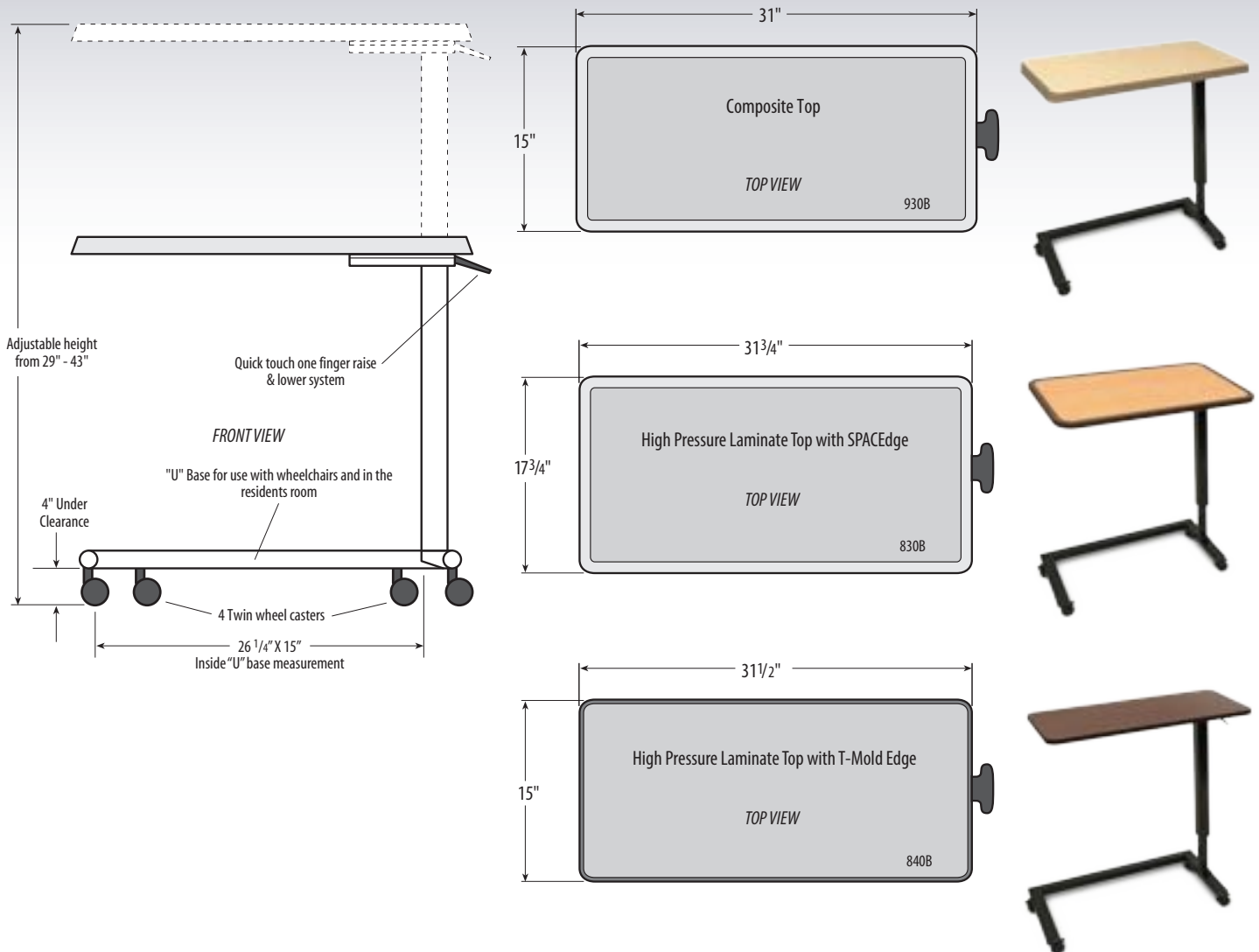
Laminate Top with Raised SPACEEdge



Laminate Top with Vinyl T-Mold Edge. Bases are adjustable from 29" to 43"

Adjustable Overbed Tables

Resident Room & Activity



Adjustable Tables

General Information

Purchase Orders:

All purchase orders must be submitted in writing, via the fax, email or postal mail. Each purchase order must be on letterhead, or using an official Purchase Order, bearing an authorized signature. Orders will not be scheduled for shipment or entered into production until all questions and credit terms relating to the order are satisfied. All purchase orders will be acknowledged by Space Tables upon entry. Please verify that the acknowledgement matches your original order. This is the time to catch any mistakes and make final decisions.

Prices:

Prices shown are FOB Maple Grove, MN in US Dollars. If you choose the house carrier, we will prepay and add the freight charges to your invoice.

Billing:

Invoices will be mailed or emailed to the customer the next business day following shipment.

Lead Times:

Standard lead time is six (6) to eight (8) weeks after order entry. Since we manufacture to order, lead times are contingent upon our supplier's ability to deliver "color specific" raw materials. We will notify you of a problem. Your acknowledgement will include our scheduled ship week.

Warranty Agreement:

Space Tables, Inc. warranties all products manufactured and/or marketed by Space Tables to be free from defects in material and workmanship under normal usage for one (1) year from date of purchase shown on the invoice. On series 601, 602, and 603 all plastic parts for (1) year, metal welds for (25) years. On series 100, 200, and 300, (15) years on metal fatigue and welds. Stamped steel X bases have a (5) year warranty. Warranty does not apply to misuse, negligence, or accident.

Credit Terms:

Payment terms are net 30 days from date of invoice for customers with acceptable credit. Credit

terms are established on an order-by-order basis, based on the customer's willingness and ability to pay obligations as they become due. Accounts that are past due are subject to finance charges of 1.5% per month (18% annually) or the maximum rate allowed by law. Credit terms are subject to change without notice. If you have questions on your account please call Space Tables, Inc's. Credit Department. **As an alternative to opening an account, the following payment terms are available:**

Credit Cards: Mastercard, Visa, American Express - subject to processing fee.

Proforma Invoice: A 50% deposit is required to commence production with the balance payable prior to shipment of order.

New Accounts:

To apply for credit, complete a Space Tables credit application. Credit terms will be considered based upon this information.

Matching Prior Orders:

On a new purchase order, clearly indicate the need to try matching a previous order. Include original invoice number, purchase order number and the ship date of previous order. Periodically, materials are discontinued by our suppliers and requested materials cannot be supplied. In this event, customer will be notified.

Returns:

Merchandise can not be returned without authorization. Approved returns are subject to a minimum 25% restocking charge and the freight costs involved. Actual charges will be determined at the time of return authorization. Unauthorized returns will be refused at customers expense.

Scheduled Delivery:

Ship weeks are shown on all acknowledgements. Best efforts are made to schedule each order based on customer requirements, material availability, and capacity. Shipment of order may be delayed if credit terms have not been satisfied. Scheduled ship date is subject to change due to strikes, accidents, material availability and other factors beyond our control.

Adjustable Tables

General Information

F.O.B. Terms:

We will prepay and add freight charges to the invoice unless otherwise requested. Freight quotes are an estimate only and subject to change based on fuel surcharges and carrier increases which are beyond our control.

FREIGHT CLAIMS:

Inspect your shipment carefully. Should your shipment arrive damaged, incomplete or overstated, make appropriate notations on delivery receipt. Report product and/or quality discrepancies to the carrier and to Space Tables Freight Claims Administrator immediately to allow for inspection and prompt issue resolution. You will be responsible for filing claim, saving cartons, etc. for the inspector to review and photograph. The freight company decides on the compensation amount.

Care & Maintenance

Periodic maintenance is necessary to ensure long-term durability and customer satisfaction.

To prevent personal injury, furniture must be inspected regularly for loose screws, glides and casters, cracked or broken welds, cracked laminate, wood splinters and general instability. Furniture that is damaged or appears to be unstable must be immediately removed from service and replaced or repaired using only factory authorized parts and methods. Contact Space Tables Service Department for assistance and further instructions.

Composite: Use a solution of detergent mixed with warm water and a nonabrasive cloth or sponge, wipe table top off, rinse and dry thoroughly. You may need to use a little elbow grease on tougher stains. Always clean spills immediately or staining may occur.

To remove tough stains, use an automotive rubbing compound and follow the directions.

Laminates: Wipe surface with a damp cloth using soap or liquid detergent. Remove stubborn stains with a damp paste of baking soda. Leave on for a minute, then blot away. Abrasive cleaners should not be used. Acid based products spilled on the surface should be wiped off immediately and then rinsed with water.

Tips for both Composite and Laminates: Do not use a sanitizing agent before thoroughly cleaning with detergent, rinsing with water, and drying thoroughly or damage will occur. Do not use any abrasive material or damage will occur.

Always use a heat shield, hot pad, or trivet when placing a hot pan on a table top. Always use a cutting board. Knives will damage surfaces. Always clean spills immediately or staining may occur.

SPACEEdge and Vinyl Edge: Use a liquid detergent suitable for cleaning vinyl. After cleaning, wipe the surface with a cloth dampened with warm water.

Wood Finish: Coat wood with a hard paste wax every three to four months during the first year of use. After the first year, application can be less frequent. To clean, use liquid cleaner-wax polish combination. Do not use abrasive household solvents. Water spills on the surface should be wiped off immediately.

Bases/Legs: Clean with a solution of detergent mixed with water using a nonabrasive cloth or sponge wipe external parts then rinse, and dry thoroughly. Take care not to allow mops and floor cleaners to hit legs and bases as that may nick or scratch finish and will expose raw steel which could cause rusting.

Caster maintenance: Periodically check casters to make sure they are secure. The casters are not intended to be moved over long distances. Care should be taken when going over uneven surfaces.

Base Finish Maintenance: Chrome protectant can be used on chrome legs. Black Wrinkle nicks and scratches can be touched up with black matt Rustoleum paint

Special Tip: Always rinse surfaces after cleaning. Failure to rinse after cleaning is the greatest cause of surface damage. If even small amounts of cleaning solution remains on the surface, moisture can reactivate the cleaning solution and result in etched scars.



Space Tables, Inc.

11511 95th Avenue N • Maple Grove, MN 55369

Phone: 763-494-6969

Toll Free: 800-328-2580